

PRODUCT SERIES SPECIFICATIONS

Series: PLC

Category: General Purpose

Pressure: Vacuum to 120 psi, 8.3 bar

Temperature: -40°F-180°F (-40°C-82°C)

Material Compliance

Reach: Compliant

RoHS: Compliant

For more information see cpcworldwide.com or contact us at cpcworldwide.com/ContactUs

Interactive 3D graphic, click to activate and rotate.

The **1/4" flow PLC Series** is proven worldwide in thousands of applications and offers the widest selection of sizes and configurations. PLC couplings are injection molded from acetal thermoplastic and are resistant to most mild chemical solutions. One-hand connection/disconnection, plus integral terminations make the PLC Series the choice for ease of use and manufacture.

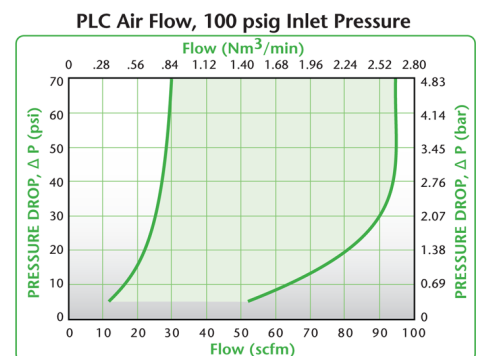
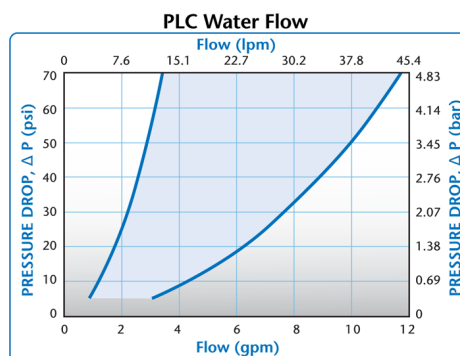
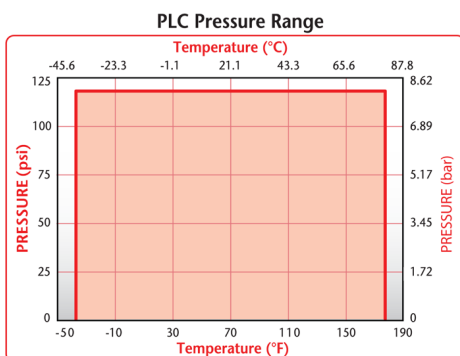
Features - Benefits

CPC thumb latch - One-hand connection and disconnection

Integral terminations - Fewer leak points, shorter assemblies, faster installations

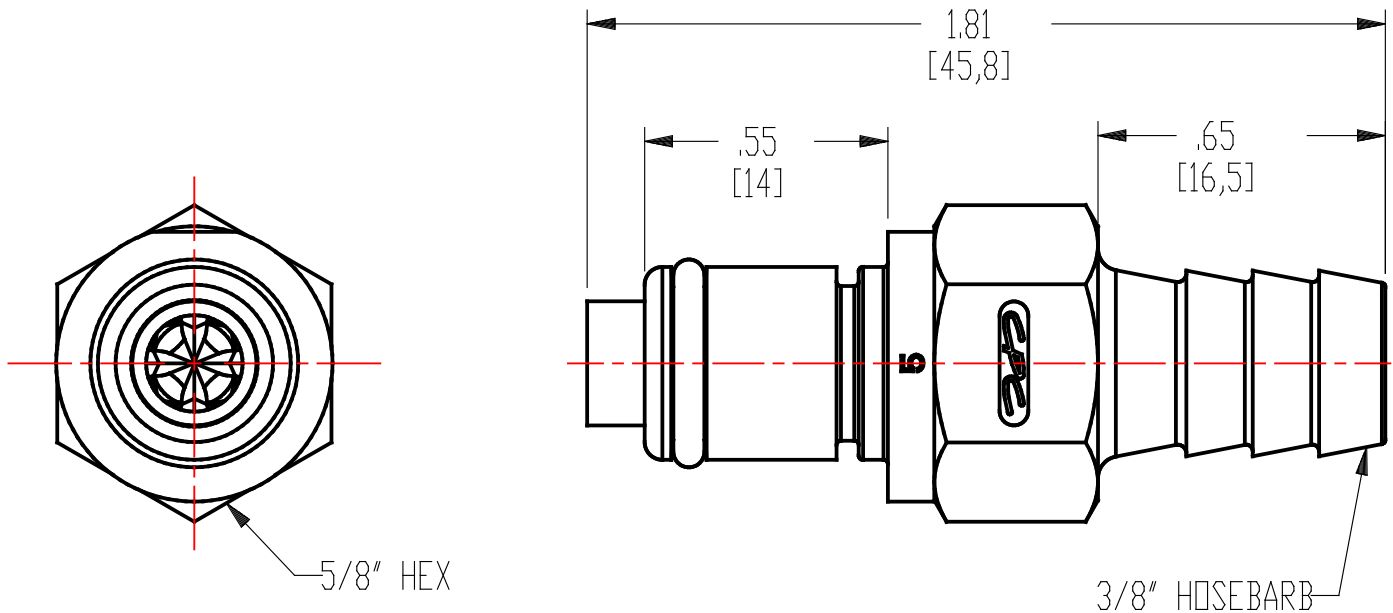
Clicks when connected - Assurance of a reliable connection

Compatible - Mates with LC and PLC12 Series couplings



These graphs are intended to give you a general idea of the performance capabilities of each product line. Contact CPC for flow of a particular coupling combination.

Technical details:



Description: 3/8" Hose Barb Valved In-Line Coupling Insert

Materials:

Main Components: Natural White Acetal

Valve: Natural White Acetal

Valve Spring: Stainless Steel

Seals: BUNA-N

Standard Packaging Quantity: 25