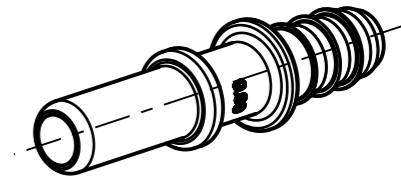
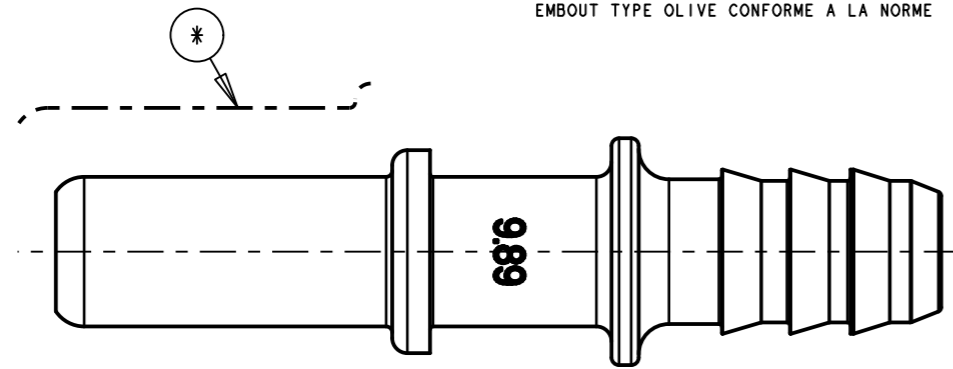


FUEL LINE /  
CIRCUIT CARBURANT



ECHELLE 1:1

\*END PIECE VALUABLE TO THE SPECIFICATION } SAE J2044 08/09  
EMBOUT TYPE OLIVE CONFORME A LA NORME }



ECHELLE 2:1

PRODUCTION DRAWING / DESSIN SERIE

IND	NB	DESCRIPTIONS / DESIGNATIONS	DATE	VISAS
Ad	-	Drawing Status changes from Study Drawing to Production Drawing	13/09/11	GS
Ac	-	Modification variante 00	01/09/10	SF
Ab	-	Mise à jour plan	21/04/10	CM
Aa	-	Création plan	30/03/10	CM

**Rayconnect** RAYCONNECT INTERNATIONAL SAS  
 FLUID CONNECTIONS  
 ZA Technisud  
 123, rue Hilaire Chardonnet  
 38030 GRENOBLE cedex 02  
 FRANCE

Z25  
 SI PROBLEME DE COMPREHENSION, MERCI DE DEMANDER A L'ADRESSE SUIVANTE: [contact@eu.rayconnect.com](mailto:contact@eu.rayconnect.com) UNE VERSION DANS LA LANGUE SOUHAITEE AVANT TOUTE UTILISATION.  
 BEI VERSTAEANDNISPROBLEMEN EMPFEHLEN WIR DRINGEND, VOR JEGLICHER VERWENDUNG, DIE ERWUNSCHTE SPRACHLICHE VERSION UEBER FOLGENDE E-MAIL-ADRESSE ANZUFORDERN: [contact@eu.rayconnect.com](mailto:contact@eu.rayconnect.com)

CONDITIONS OF USE

DRAWING:  
 THIS DRAWING AND ALL INFORMATION ("THE DRAWING") DISCLOSED ARE THE EXCLUSIVE PROPERTY OF RAYCONNECT.  
 BY USING THIS DRAWING THE ADDRESSEE ACKNOWLEDGES AND ACCEPTS THAT THIS DRAWING:  
 (1) IS COVERED BY RAYCONNECT'S INTELLECTUAL PROPERTY RIGHTS OR KNOW-HOW AND  
 (2) IS PROVIDED UNDER THE FOLLOWING CONDITIONS WHO REPRESENT A DEPOSIT AGREEMENT.  
 THIS DRAWING IS FOR ADDRESSEE'S INTERNAL USE ONLY LIMITED TO ITS EVALUATION.  
 WITHOUT PRIOR WRITTEN CONSENT OF RAYCONNECT, NO PERMISSION OR RIGHTS FOR ANY PURPOSE, IS HEREBY GRANTED, SUCH AS, WITHOUT ANY LIMITATION,  
 (1) THE COPY OF THE DRAWING, IN PART OR ENTIRELY,  
 (2) AND/OR THE PRESENTATION OF THE DRAWING, IN PART OR ENTIRELY, TO ANY THIRD PARTY OUTSIDE THE ADDRESSEE'S COMPANY OR TO PEOPLE IN THE COMPANY WHO DO NOT NEED TO KNOW THE DRAWING,  
 (3) AND/OR THE DISTRIBUTION OF THE DRAWING, IN PART OR ENTIRELY, IN ANY MEDIUM,  
 (4) AND/OR THE CREATION OF ANY DERIVATIVE WORK.  
 IN CASE OF BREACH OF THESE CONDITIONS, ADDRESSEE SHALL INDEMNIFY RAYCONNECT FROM AND AGAINST ALL DAMAGES (COMPENSATORY OR CONSEQUENTIAL), COSTS, EXPENSES AND CHARGES, CAUSED OR ARISING OUT OF OR ATTRIBUTABLE TO ITS WILLFULL MISCONDUCT, FRAUD, NEGLIGENCE, INFRINGEMENT OF RAYCONNECT'S INTELLECTUAL PROPERTY RIGHTS.  
 IF THE ADDRESSEE DOES NOT ACCEPT THESE CONDITIONS, PLEASE INFORM RAYCONNECT IMMEDIATELY AT THE FOLLOWING E-MAIL: [contact@eu.rayconnect.com](mailto:contact@eu.rayconnect.com)

PRODUCT:  
 THE DESCRIPTION AND THE WORDS USED ON THE DRAWING ARE GENERAL TERMS. IN ORDER TO HAVE FULL UNDERSTANDING OF EACH MEANING, RAYCONNECT RECOMMENDS THAT ADDRESSEE CHECKS RAYCONNECT VALID TECHNICAL NOTE AND ASK FOR A VALID TECHNICAL NOTE AT THE FOLLOWING E-MAIL: [contact@eu.rayconnect.com](mailto:contact@eu.rayconnect.com)

IT IS ADDRESSEE'S RESPONSIBILITY TO ENSURE THE RELATED PRODUCT FITS WITH ITS NEEDS, WITH ITS PURPOSE AND IS COMPATIBLE WITH AND SUITABLE FOR USE WITH TUBES. RAYCONNECT MAKES NO WARRANTIES OR REPRESENTATIONS, EITHER EXPRESS OR IMPLIED, IN RELATION TO THE PRODUCT'S COMPLETENESS, ACCURACY, MERCHANTABILITY, COMPATIBILITY, SUITABILITY OR FITNESS FOR A PARTICULAR PURPOSE.  
 IF ADDRESSEE HAS ANY DOUBT, RAYCONNECT STRONGLY ADVICES THE ADDRESSEE TO CONTACT RAYCONNECT AT THE FOLLOWING E-MAIL: [contact@eu.rayconnect.com](mailto:contact@eu.rayconnect.com)

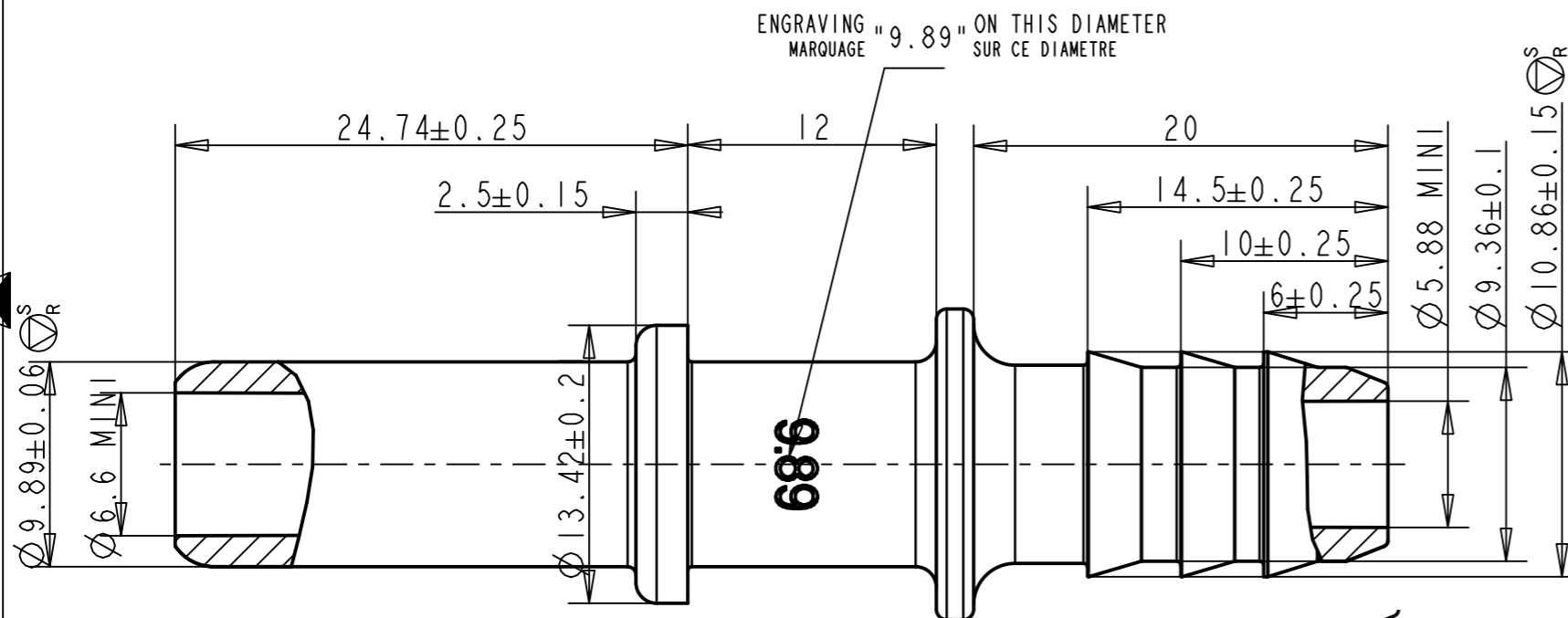
	FORMAT: A3	SCALE: 3:1	TOLERANCE: ±0.50 ±3'	METRIC ALL DIMENSIONS ARE IN MILLIMETERS	VOLUME (mm <sup>3</sup> ): 2804
--	------------	------------	----------------------	------------------------------------------	---------------------------------

INTELLECTUAL PROPERTY RIGHTS:			
CREATION DATE:	DESIGNED:	APPROVED:	LAST INDEX:
30/03/10	C.MALIA	20110914035439	Ad

TITLE: END PIECE Ø9,89 STRAIGHT FIR TREE 8x10-3/8" Embout Ø9.89 droit sapin 8x10	
NUMBER: 216890-0-YY	FILE NAME: 216890-0C00 Customer drawing

Pro/ENGINEER WILDFIRE FILE, DO NOT MODIFY

ENGRAVING "9.89" ON THIS DIAMETER  
MARQUAGE "9.89" SUR CE DIAMETRE



WITHOUT PARTING LINE  
AND SURFACE ROUGHNESS  
SANS PLAN DE JOINT  
ET ETAT DE SURFACE  $\sqrt{R}$

WITHOUT PARTING LINE  
AND SURFACE ROUGHNESS  
SANS PLAN DE JOINT  
ET ETAT DE SURFACE  $\sqrt{R}$

BEWARE SCALE AFTER COPY

MATERIAL CHART  
TABLEAU DES MATIERES

216890-0-YY	MATERIAL / MATIERE	COLOUR / COULEUR
216890-0-00	PA12 30% GF AZM 30 TLD or LV 3H	BLACK / Noir
216890-0-01	PA12 CONDUCTIVE ASR13	BLACK / Noir