

PRODUCT SERIES SPECIFICATIONS

Series: PMC

Category: General Purpose

Pressure: Vacuum to 120 psi, 8.3 bar

Temperature: -40°F to 180°F (-40°C to 82°C)

Material Compliance

Reach: Compliant

RoHS: Compliant

For more information see cpcworldwide.com or contact us at cpcworldwide.com/ContactUs

Interactive 3D graphic, click to activate and rotate.

The 1/4" flow PMC coupling covers a wide variety of general-purpose applications. Featuring the CPC thumb latch, the PMC is easier to use than ball-and sleeve designs. One-hand connection/disconnection and integral terminations make the PMC the choice for ease of use and manufacture. This coupling is NuSeal® compatible.

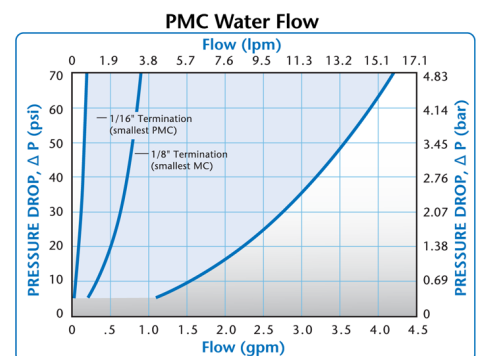
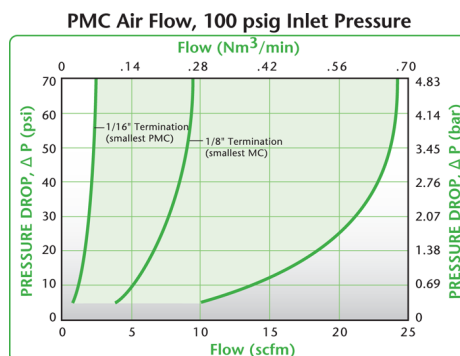
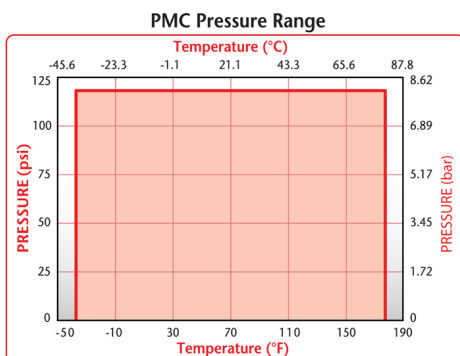
Features - Benefits

Hose barb shroud - Extra protection for the 1/16" hose barb

Integral terminations - Fewer leak points, shorter assemblies, faster installations

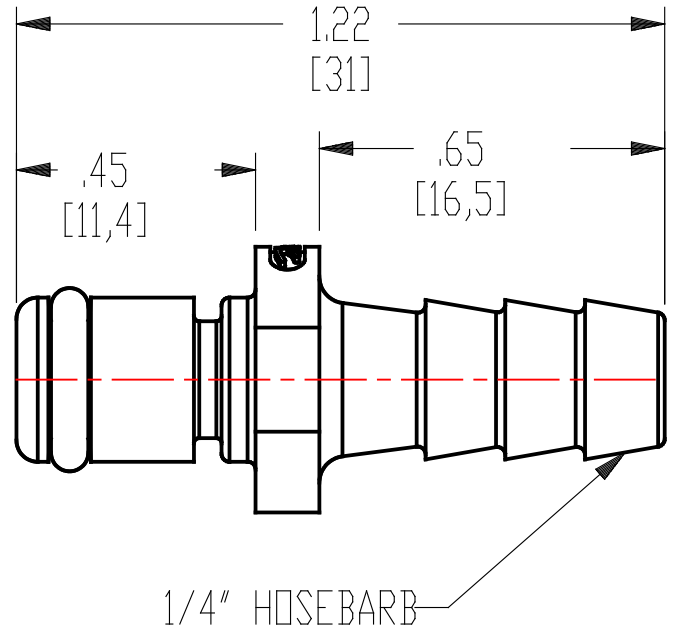
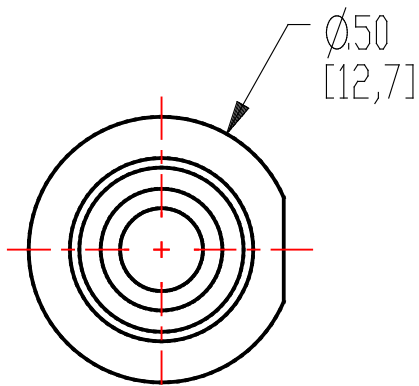
Compatible - Mates with PMC12 and MC Series couplings

Clicks when connected - Assurance of a reliable connection



These graphs are intended to give you a general idea of the performance capabilities of each product line. Contact CPC for flow of a particular coupling combination.

Technical details:



Description: 1/4" Hose Barb Non-Valved In-Line Coupling Insert

Materials:

Main Components: Natural white Acetal

Seals: BUNA-N

Valve: N/A

Valve Spring: N/A

Standard Packaging Quantity: 25