

PRODUCT SERIES SPECIFICATIONS

Series: MC

Category: General Purpose

Pressure: Vacuum to 250 psi, 17.3 bar

Temperature: -40°F to 180°F (-40°C to 82°C)

Material Compliance

Reach: Compliant

RoHS: Compliant

For more information see cpcworldwide.com or contact us at cpcworldwide.com/ContactUs

Interactive 3D graphic, click to activate and rotate.

CPC's MC Series chrome-plated brass couplings are built tough and made to last in the most demanding applications. Ideal for use with higher temperatures or pressures, MC Series couplings feature one-hand operation for swift and easy connects and disconnects. These couplings offer the flexibility of multiple configurations and terminations and mate with both PMC acetal and PMC12 polypropylene couplings.

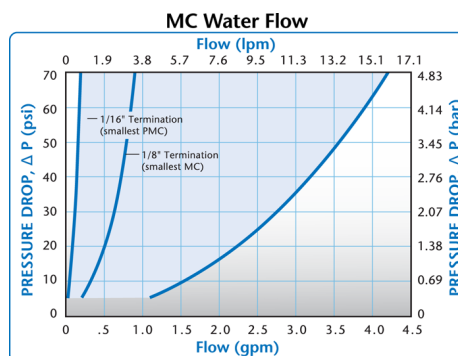
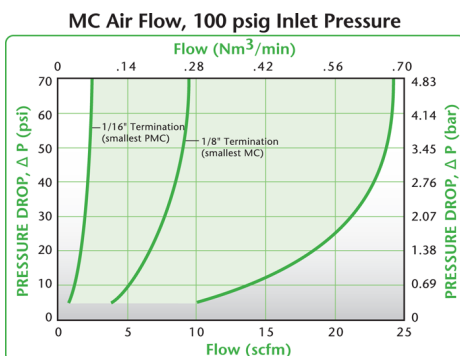
Features - Benefits

Brass material - Durable and able to withstand higher pressure and temperature

High temperature capability - Versions rated to 400°F (204°C)

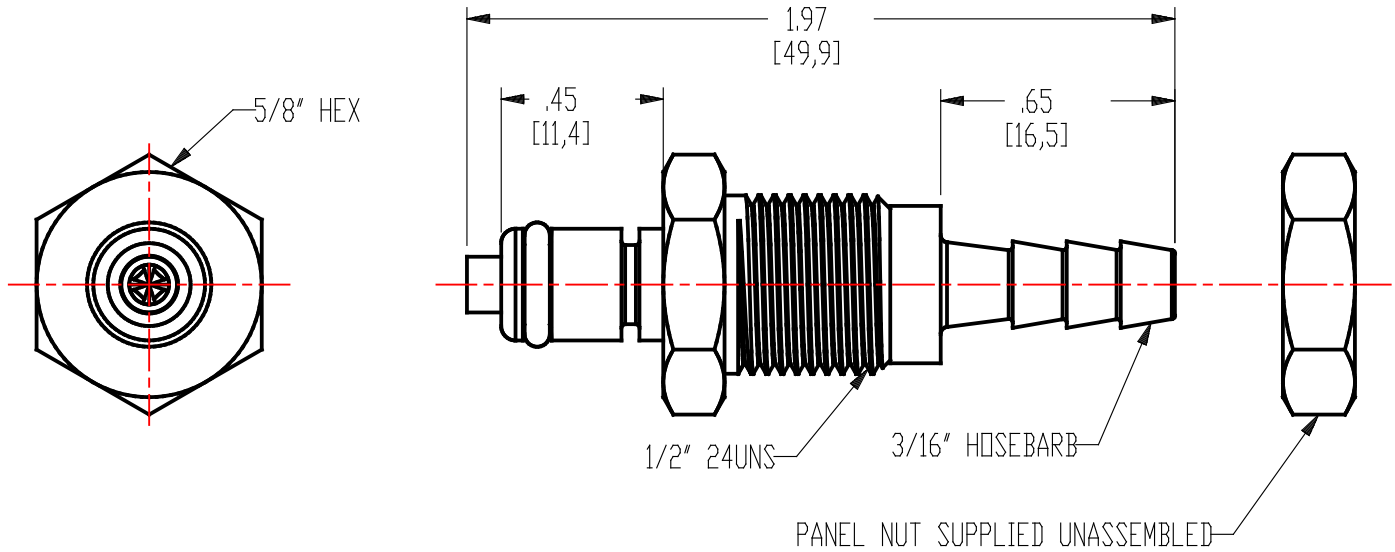
CPC thumb latch - One-hand connection and disconnection

Compatible - MC mates with PMC and PMC12 Series couplings



These graphs are intended to give you a general idea of the performance capabilities of each product line. Contact CPC for flow of a particular coupling combination.

Technical details:



Description: 3/16 Hose Barb Valved Panel Mount Coupling Insert

Materials:

Main Components: Chrome Plated Brass

Valve: Natural Acetal

Valve Spring: Stainless Steel

Seals: BUNA-N

Others: Barrel Nickel Plated Brass Panel nut

Standard Packaging Quantity: 10