

## PRODUCT SERIES SPECIFICATIONS

**Series:** LC

**Category:** General Purpose

**Pressure:** Vacuum to 250 psi, 17.3 bar

**Temperature:** -40°F-180°F (-40°C-82°C)

**Material Compliance**

**Reach:** Compliant

**RoHS:** Compliant

For more information see [cpcworldwide.com](http://cpcworldwide.com) or contact us at [cpcworldwide.com/ContactUs](http://cpcworldwide.com/ContactUs)

*Interactive 3D graphic, click to activate and rotate.*

**CPC's LC Series chrome-plated brass couplings** are built tough and made to last in the most demanding applications. Ideal for use with higher temperature or pressure, the LC Series features a one-hand operation for swift and easy connects and disconnects. These couplings offer the flexibility of multiple configurations and terminations to mate with both the PLC acetal and PLC12 polypropylene couplings.

### Features - Benefits

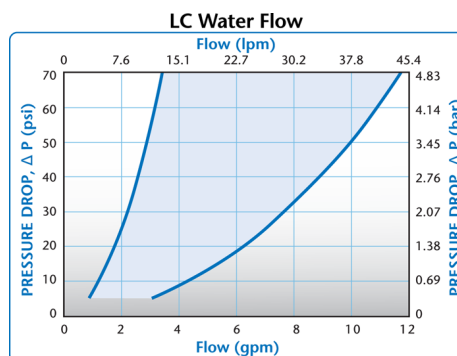
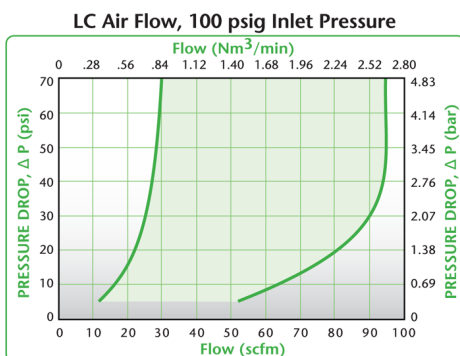
Brass material - Durable construction withstands higher pressure and temperature

Chrome plating - Attractive appearance

High temperature capability - Versions rated to 400°F (204°C)

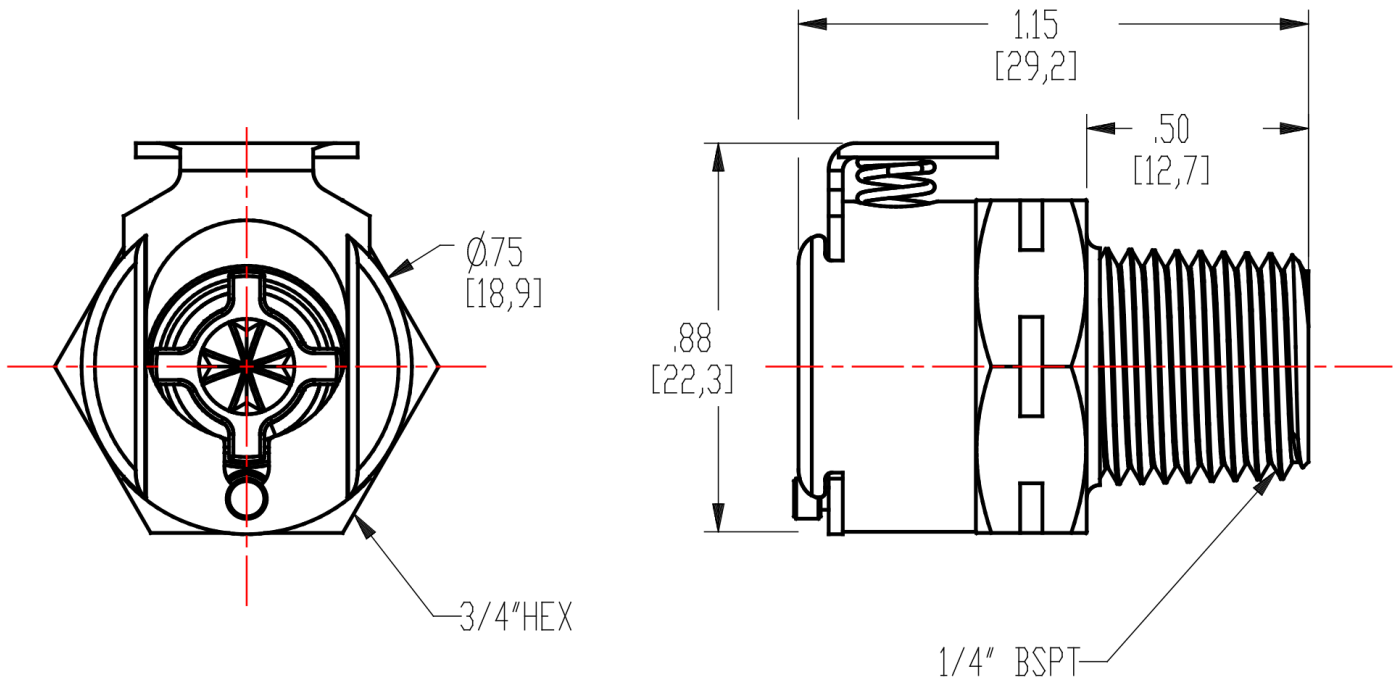
CPC thumb latch - One-hand connection and disconnection

Compatible - LC mates with PLC Series couplings



These graphs are intended to give you a general idea of the performance capabilities of each product line. Contact CPC for flow of a particular coupling combination.

**Technical details:**



**Description:** 1/4" BSPT Valved Coupling Body

**Materials:**

**Main Components:** Chrome Plated Brass

**Valve:** Natural Acetal

**Thumb Latch:** Stainless Steel

**Valve Spring:** Stainless Steel

**External Spring:** Stainless Steel

**Seals:** BUNA-N

**Standard Packaging Quantity:** 10