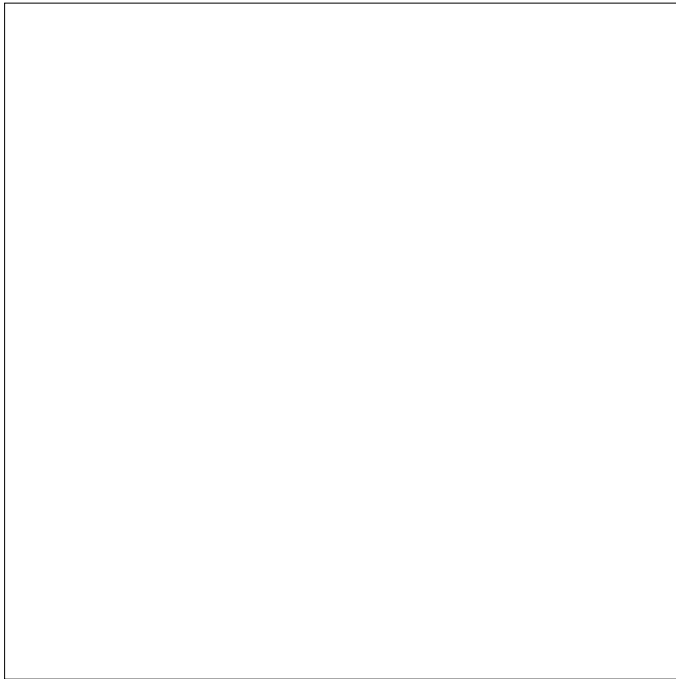


PRODUCT SERIES SPECIFICATIONS

Series: HFC12
Category: General Purpose
Pressure: Vacuum to 60 psi, 4.2 bar
Temperature: 32°F-160°F (0°C-71°C)
Material Compliance
Reach: Compliant
RoHS: Compliant



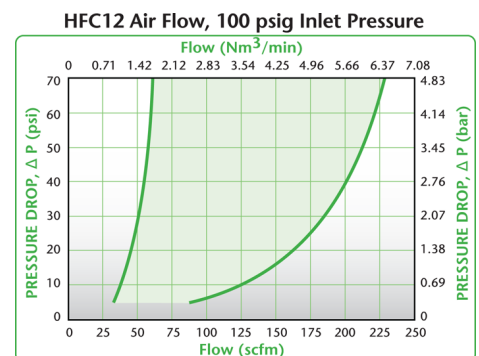
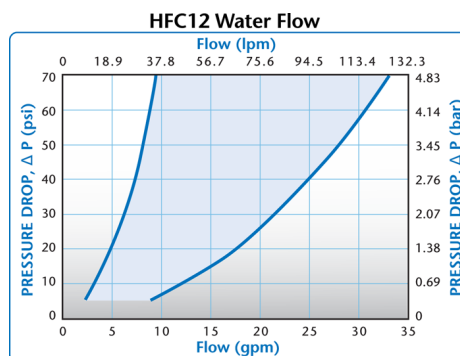
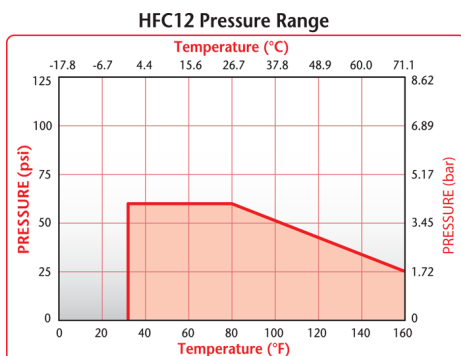
Interactive 3D graphic, click to activate and rotate.

For more information see cpcworldwide.com or contact us at cpcworldwide.com/ContactUs

HFC12 Series couplings have flow comparable to many 1/2" flow couplings in a 3/8" body size. Compact and lightweight, HFC couplings replace bulky and heavy brass ball-and-sleeve couplings in a wide range of applications. An ergonomic design and a large, shrouded thumb latch pad produce a coupling that is easy to grip and simple to operate. An efficient valve design leads to high flow and low spillage.

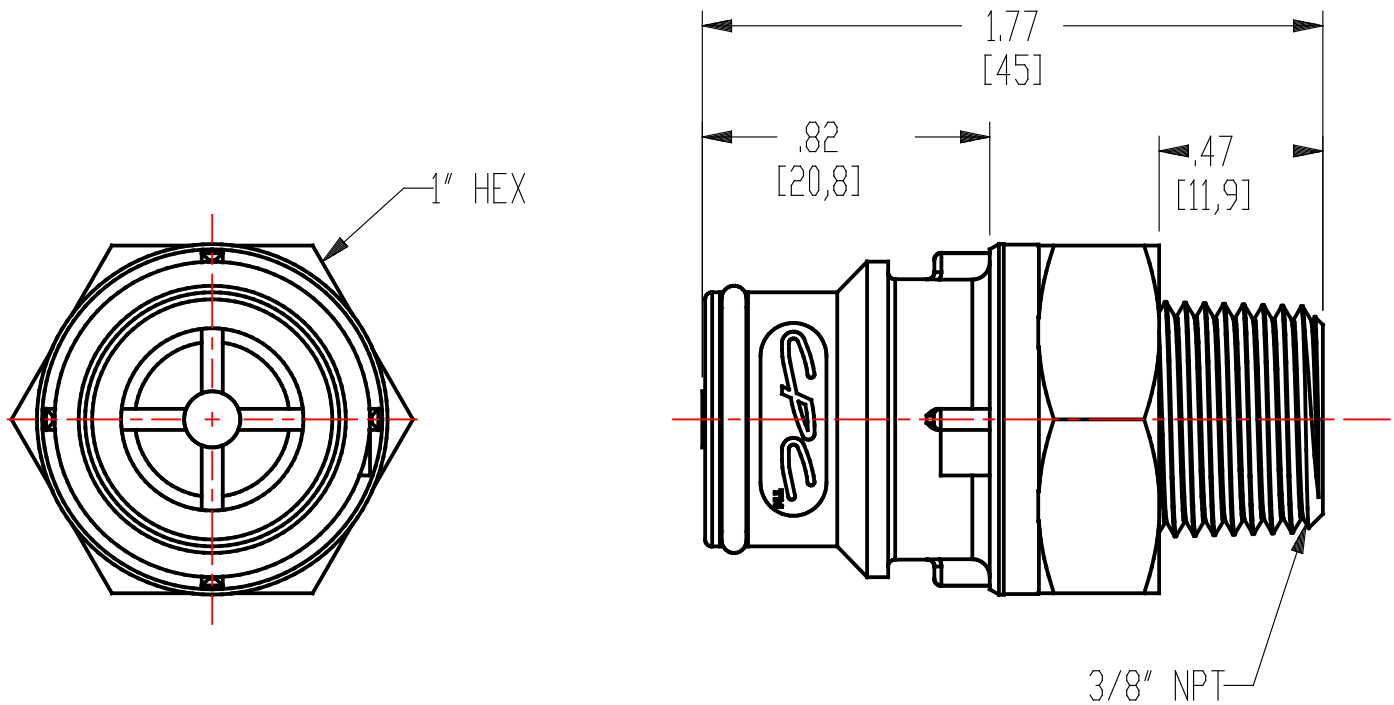
Features - Benefits

- High efficiency valve - More flow in a compact size
- Ergonomic design - Easy to grip, simple to operate
- Polypropylene material - Chemically resistant and gamma sterilizable
- Compatible - Mates with HFC35 and HFC57 couplings



These graphs are intended to give you a general idea of the performance capabilities of each product line. Contact CPC for flow of a particular coupling combination.

Technical details:



Description: 3/8" NPT Non-Valved Coupling Insert

Materials:

Main Components: Gray Polypropylene

Valve: N/A

Valve Spring: N/A

Seals: EPDM

Standard Packaging Quantity: 10