

PRODUCT SERIES SPECIFICATIONS

Series: NS212

Category: General Purpose

Pressure: Vacuum to 45 psi, 3.1 bar

Temperature: 32°F-120°F (0°C-49°C)

Spillage & Air Inclusion:

<0.025cc per disconnect

0.009cc per connect

Material Compliance

Reach: Compliant

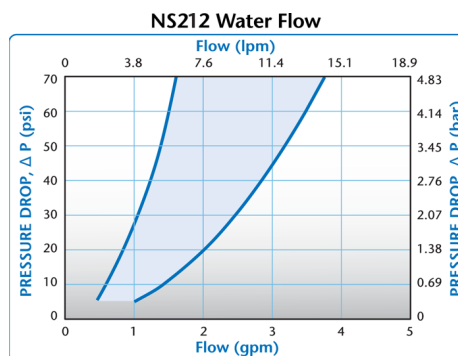
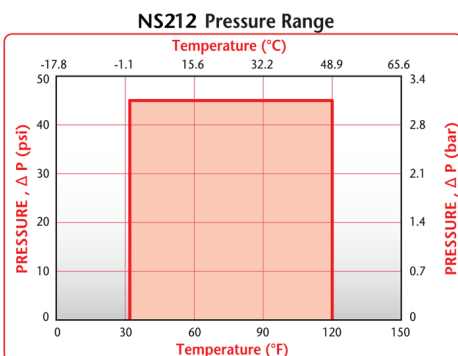
For more information see cpcworldwide.com or contact us at cpcworldwide.com/ContactUs

Interactive 3D graphic, click to activate and rotate.

NS212 Series couplings were built on the company's proven platform of non-spill valves designed to provide fast, safe and leak-free fluid line connections. The NS212 is an easy, twist-to-connect coupling with an integrated locking mechanism and double-sided non-spill shutoff valves. It is also chemically resistant and ideal for a diverse range of applications including printing and ink management, analytical instrumentation, electronic cooling and chemical handling. NS212 couplings provide high-flow fluid transfer in a small footprint.

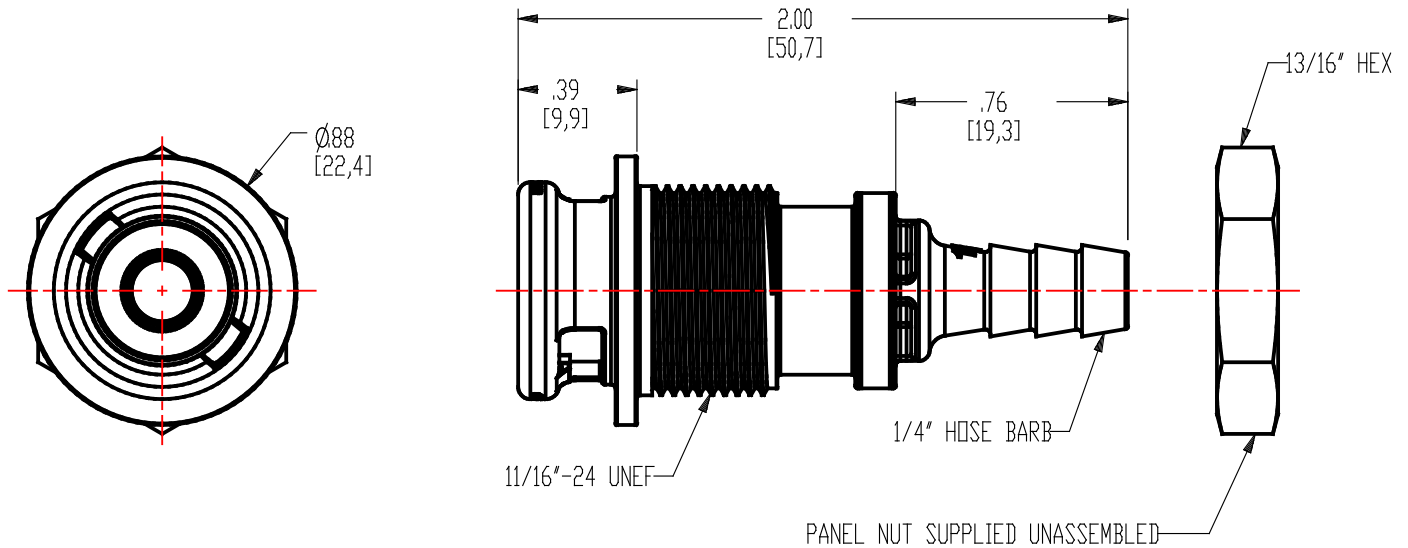
Features - Benefits

- Efficient, non-spill design - Disconnect under pressure with no spills
- Multiple seal materials - Broad chemical compatibility for diverse applications
- Twist-to-connect locking - Easy, non-spill connections in tight spaces
- Compact design - High flow in a small connector
- Ultra low air inclusion - Minimizes contaminants, reduces the need to purge lines



These graphs are intended to give you a general idea of the performance capabilities of each product line. Contact CPC for flow of a particular coupling combination.

Technical details:



Description: 1/4" Hose Barb Valved Coupling Body

Materials:

Main Components: Glass filled Gray Polypropylene

Valve: Glass filled Gray Polypropylene

Valve Spring: Stainless Steel

Seals: EPDM(FKM,FFKM optional)

Standard Packaging Quantity: 25