

## PRODUCT SERIES SPECIFICATIONS

**Series:** PLC12

**Category:** General Purpose

**Pressure:** Vacuum to 120 psi, 8.3 bar

**Temperature:** 32°F-160°F (0°C-71°C)

**Sterilization Method:** Gamma: Up to 50 kGy irradiation

**Material Compliance**

**Reach:** Compliant

**RoHS:** Compliant

For more information see [cpcworldwide.com](http://cpcworldwide.com) or contact us at [cpcworldwide.com/ContactUs](http://cpcworldwide.com/ContactUs)

*Interactive 3D graphic, click to activate and rotate.*

The 1/4" flow polypropylene PLC12 offers many of the same configuration options as the PLC. The polypropylene material adds greater chemical resistance for more demanding applications. PLC12 couplings are also gamma sterilizable. PLC12 couplings are also gamma sterilizable and available with optional RFID (Radio Frequency Identification) capability.

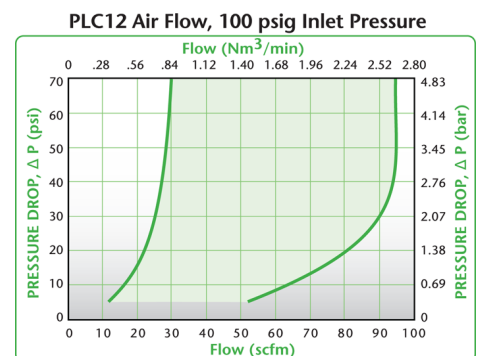
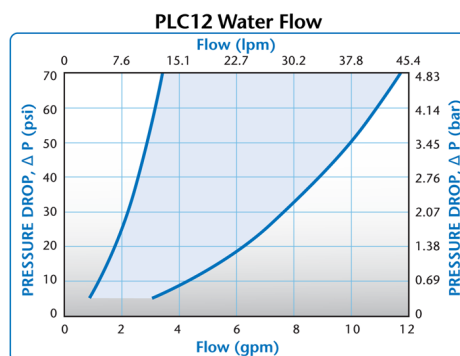
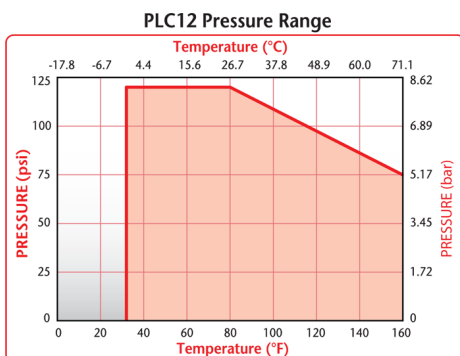
### Features - Benefits

Polypropylene material - Chemically resistant and gamma sterilizable

EPDM o-rings - Greater chemical resistance

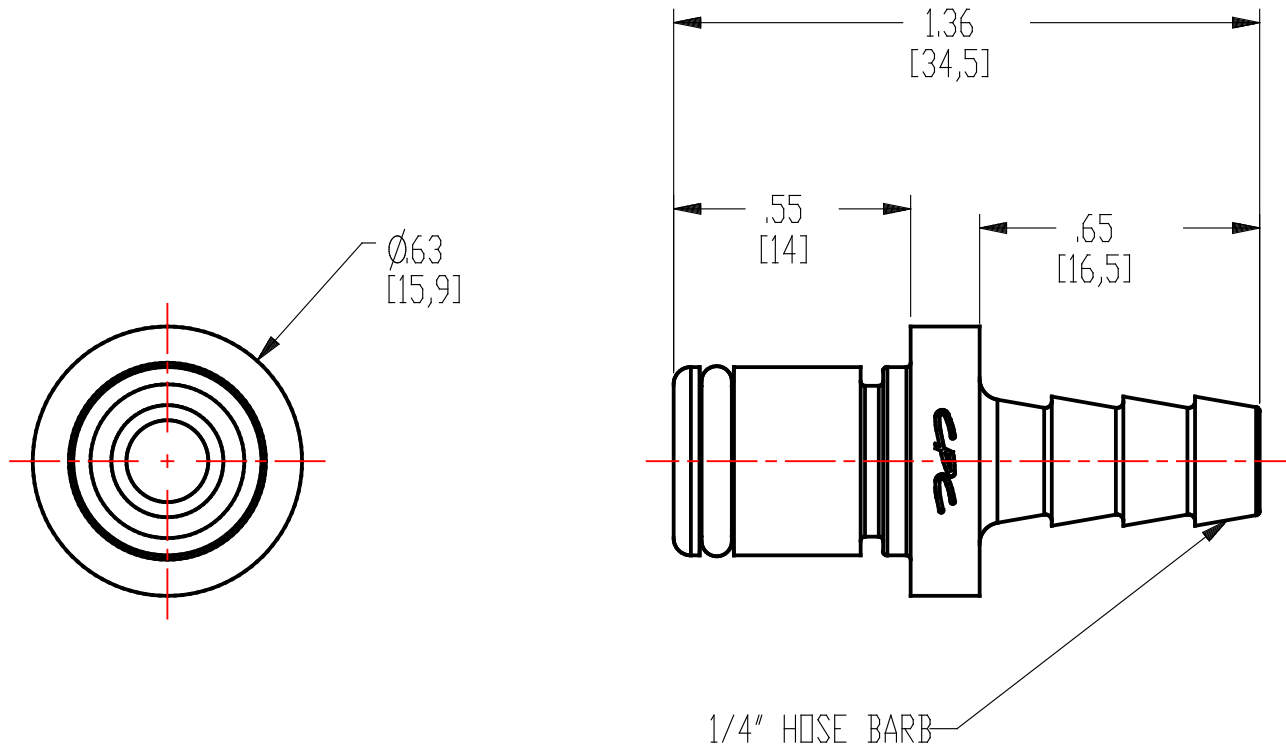
CPC thumb latch - One-hand connection and disconnection

Integral terminations - Fewer leak points, shorter assemblies, faster installations



These graphs are intended to give you a general idea of the performance capabilities of each product line. Contact CPC for flow of a particular coupling combination.

**Technical details:**



**Description:** 1/4" Hose Barb Non-Valved In-Line Coupling Insert

**Materials:**

**Main Components:** Almond Polypropylene

**Valve:** N/A

**Valve Spring:** N/A

**Seals:** EPDM

**Standard Packaging Quantity:** 25