

PRODUCT SERIES SPECIFICATIONS

Series: PLC12

Category: General Purpose

Pressure: Vacuum to 120 psi, 8.3 bar

Temperature: 32°F-160°F (0°C-71°C)

Sterilization Method: Gamma: Up to 50 kGy irradiation

Material Compliance

Reach: Compliant

RoHS: Compliant

For more information see cpcworldwide.com or contact us at cpcworldwide.com/ContactUs

Interactive 3D graphic, click to activate and rotate.

The 1/4" flow polypropylene PLC12 offers many of the same configuration options as the PLC. The polypropylene material adds greater chemical resistance for more demanding applications. PLC12 couplings are also gamma sterilizable. PLC12 couplings are also gamma sterilizable and available with optional RFID (Radio Frequency Identification) capability.

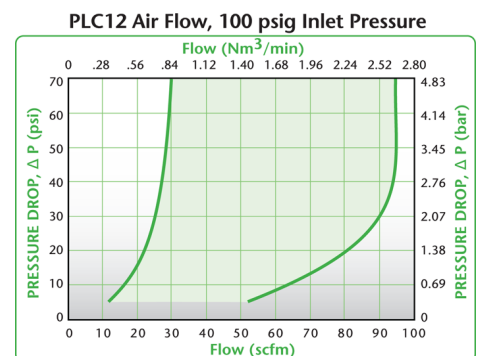
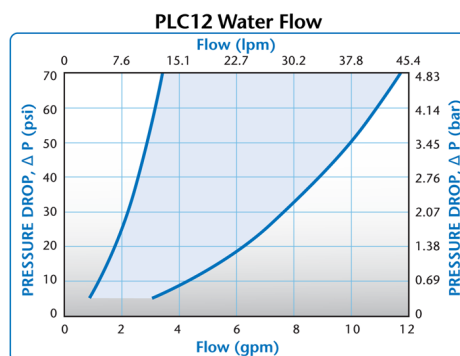
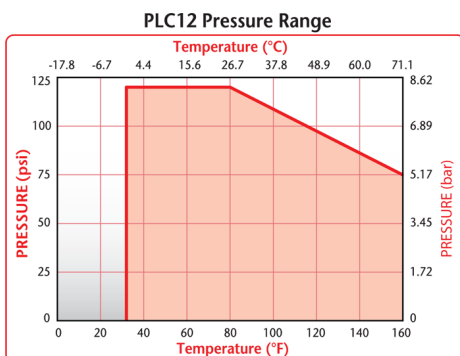
Features - Benefits

Polypropylene material - Chemically resistant and gamma sterilizable

EPDM o-rings - Greater chemical resistance

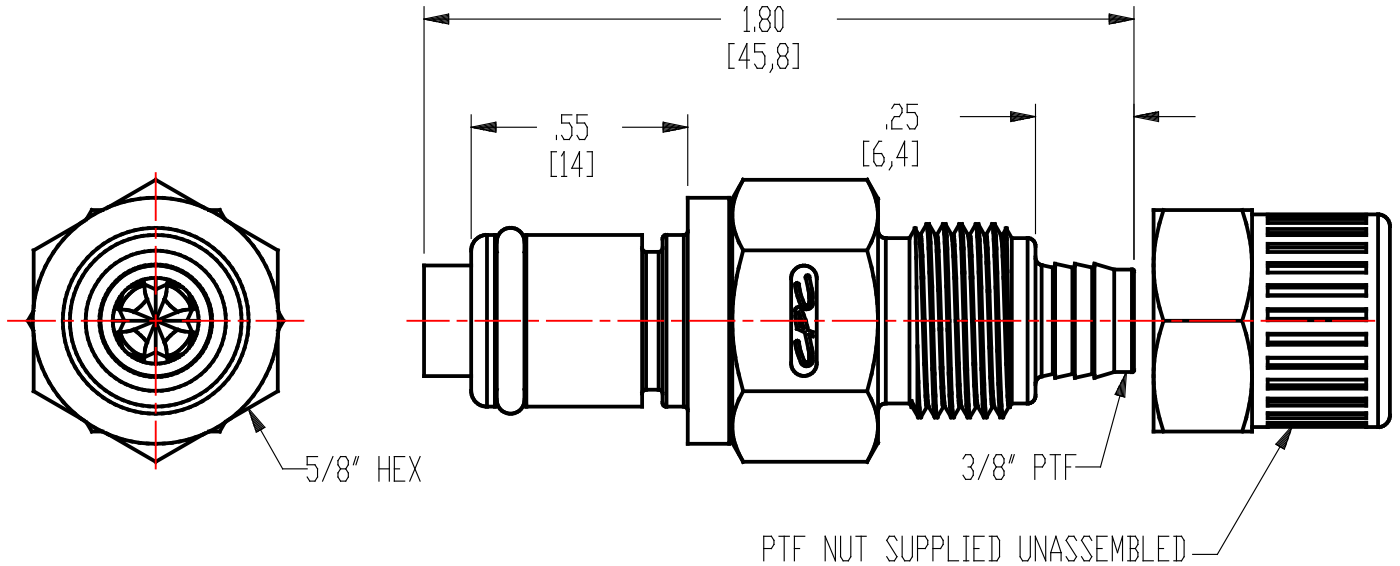
CPC thumb latch - One-hand connection and disconnection

Integral terminations - Fewer leak points, shorter assemblies, faster installations



These graphs are intended to give you a general idea of the performance capabilities of each product line. Contact CPC for flow of a particular coupling combination.

Technical details:



Description: 3/8" PTF Valved In-Line Coupling Insert

Materials:

Main Components: Almond Polypropylene

Valve: Almond Polypropylene

Valve Spring: Stainless Steel

Seals: EPDM

Others: Barrel Nickel plated brass PTF nut

Standard Packaging Quantity: 25