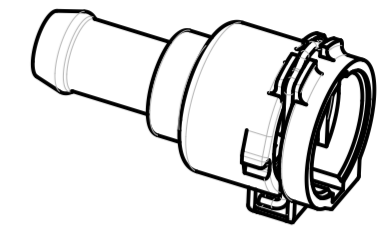


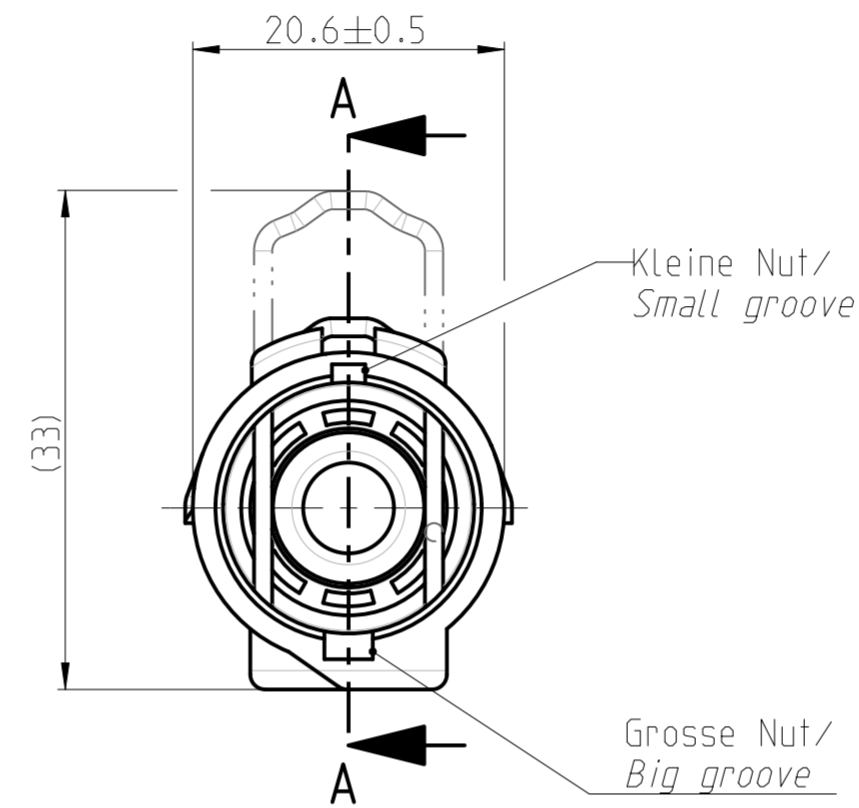
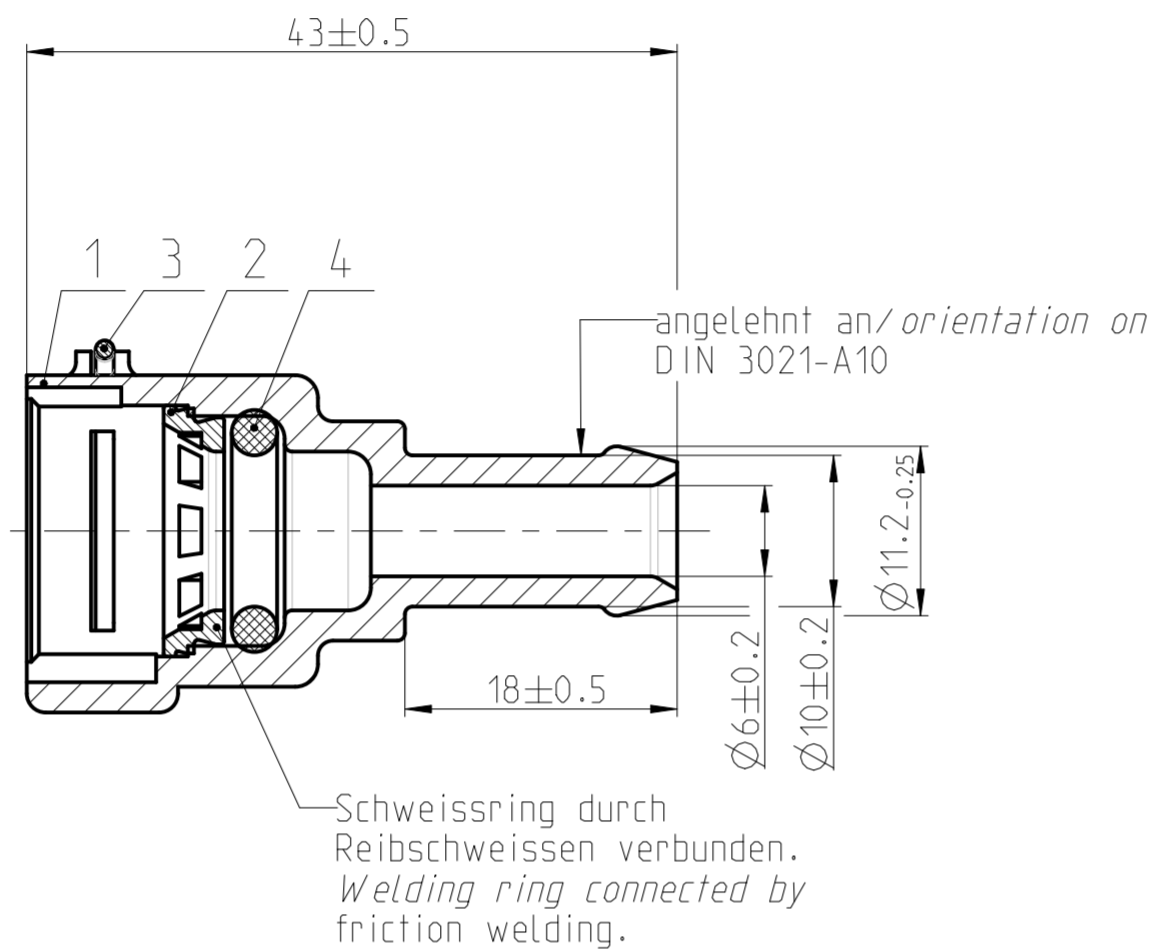
Angebotszeichnung
QUOTATION DRAWING

Teil-Nr ITEM-NO	Stueck QTY	Benennung PART - NAME	Werkstoff MATERIAL	Oberflaeche SURFACE
1	1	Housing NW 6-0*	PA66-GF30	black
2	1	Weld ring NW6	PA66-GF30	black
3	1	Locking bail NW6	EN10270-3-1.4310-NS-1.2	black
4	1	O-RING 10.0 X 3.0	EPDM-70	black

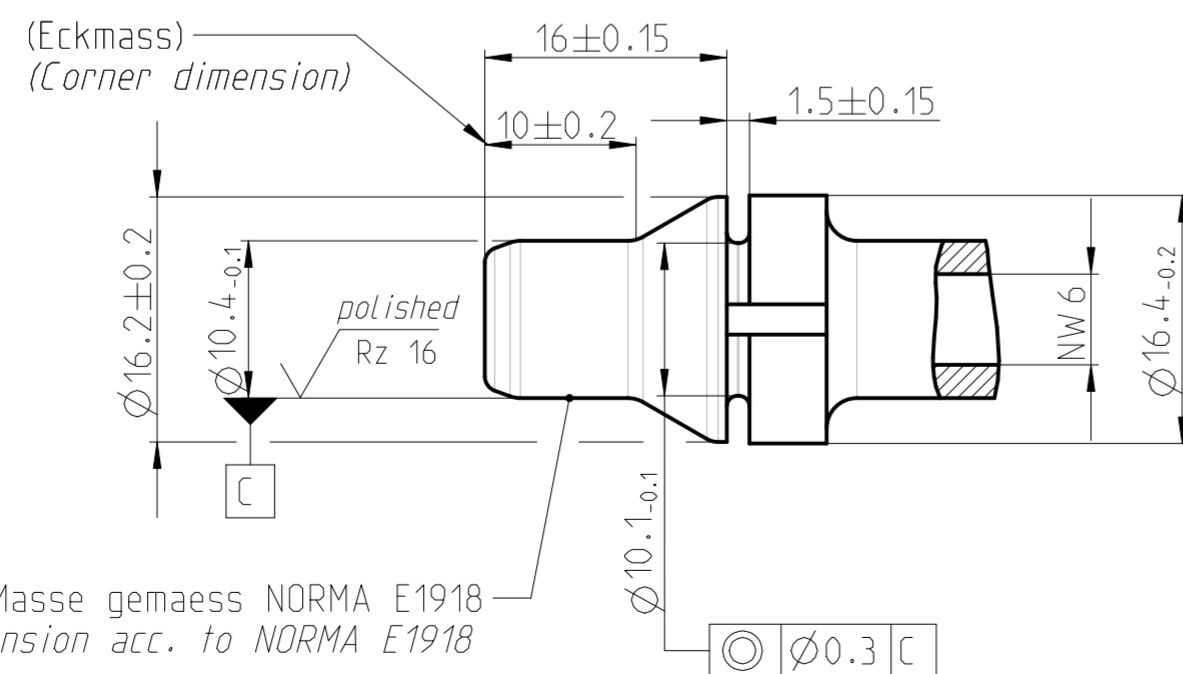


MASSTAB/ SCALE 1:1

SCHNITT/ SECTION A-A



Ansicht Spitzev/View spigot
MASSTAB/ SCALE 2:1



NORMAQUICK - ASSEMBLY MARKING	
Customer part-No.:	-
Trademark:	-
Manufacturer code:	NORMA-RSS
NORMA date code:	XX YY
Material code molding part:	>PA66-GF30<

Performance features for NQ PS3 - VDA	
Medium	coolant water
Operation temperature	-40°C thru 135°C, short-term up to 150°C (max. 30 min, over lifetime)
Operation pressure	0 to 2 bar, partial pulsating (sinusoidal)

-	-	-	-	-	-	-
-	-	-	-	-	-	-
-	B	-	Drawing separation:	-	2014-04-01	Mandalapure Ries
-	A	2	1) Text "BMW" entf., Text "mit Schlauchbirne" war "Verriegelungsbugel schwarz" Text "BMW" removed. Text "mit Schlauchbirne" was "Verriegelungsbugel schwarz" 2) Anfrage-Nr. war/enquiry-no. was 9900016121	-	2010-07-16	SW/IC Gerth

INDEX Teil/ PART	Zeichn. DWG	Anz. QTY.	Aenderung DESCRIPTION		Aend.Nr. CHANGE-NO.	Datum DATE	Bearb. DRAWN	Gepr. CHECKED
Allgemeintoleranz: GENERAL TOLERANCE:		Form- und Lagetoleranz: FORM AND POS. TOL.:		Abmass fuer Winkel: DEVIATION FOR ANGLE:	Gewicht / enrechnet / CALCULATED	WEIGHT: gewogen actual	Volumen: VOLUME:	Pruefkennzeichnung: TEST MARKING:
DIN 16901-130		DIN ISO 2768		±2°	-	-	- cm ³	
Projektions-Methode 1 1st ANGLE PROJECTION DIN ISO 128-30		Material: see parts list Material-No.: see parts list Oberflaeche: see parts list SURF. QUAL.:		PART NAME: NORMAQUICK PS3 NW 6-0° with hose bulb				
NORMA-Patentnummer: PATENT NUMBER:		Massstab: SCALE: 2:1	Datum/DATE 2007-02-27	Name/NAME SW/IC	Benennung: NORMAQUICK PS3 NW 6-0° mit Schlauchbirne (A1)			
Bandlaenge: LENGTH OF BAND:		Schutzvermerk nach ISO 16016 beachten CONSIDER AFTER PROTECTION NOTICE ISO 16016		Kunde/CUSTOMER:				
ZNE:		Ursprung/Anfrage: ENQUIRY-No.:		NORMA Germany GmbH Postfach 1149 • 63461 Maintal © COPYRIGHT BY NORMA Group		Zeichnungs-Nr./DRAWING-NO.:		DIN A 2
9901954501		9901954501		0702 8003 006		INDEX PART DWG TYPE 00 0B Q		
EAD-SYSTEM Pro/Engineer		DRAWING-NAME: 07028003006_Q		MODEL-NAME: 07028003006		MODEL-TYP: ASSEM		