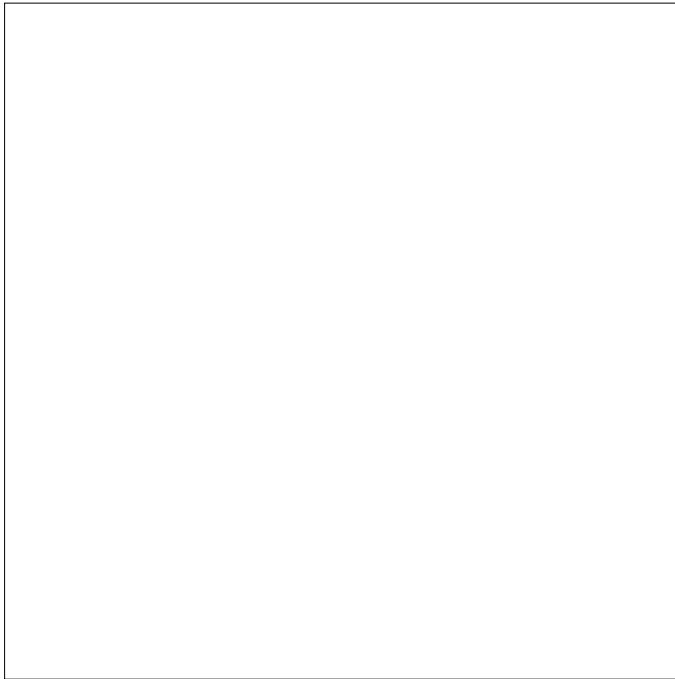


## PRODUCT SERIES SPECIFICATIONS

**Series:** HFC12  
**Category:** General Purpose  
**Pressure:** Vacuum to 60 psi, 4.2 bar  
**Temperature:** 32°F-160°F (0°C-71°C)  
**Material Compliance**  
**Reach:** Compliant  
**RoHS:** Compliant



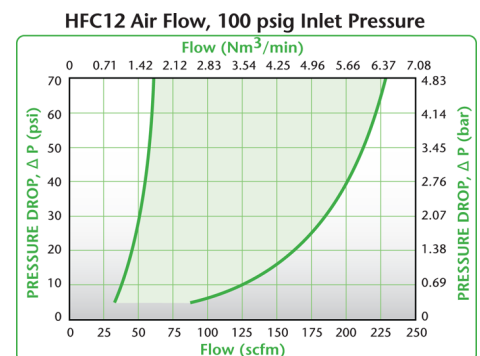
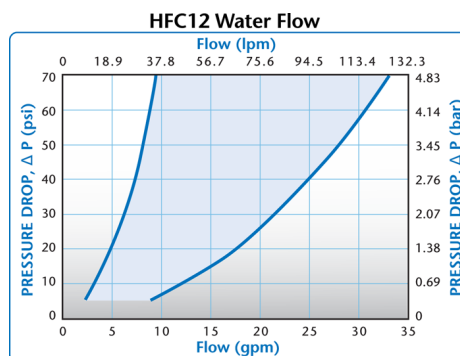
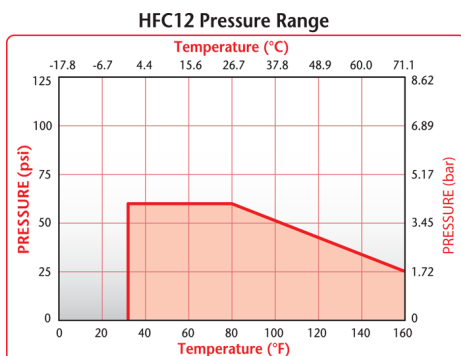
Interactive 3D graphic, click to activate and rotate.

For more information see [cpcworldwide.com](http://cpcworldwide.com) or contact us at [cpcworldwide.com/ContactUs](http://cpcworldwide.com/ContactUs)

**HFC12 Series couplings** have flow comparable to many 1/2" flow couplings in a 3/8" body size. Compact and lightweight, HFC couplings replace bulky and heavy brass ball-and-sleeve couplings in a wide range of applications. An ergonomic design and a large, shrouded thumb latch pad produce a coupling that is easy to grip and simple to operate. An efficient valve design leads to high flow and low spillage.

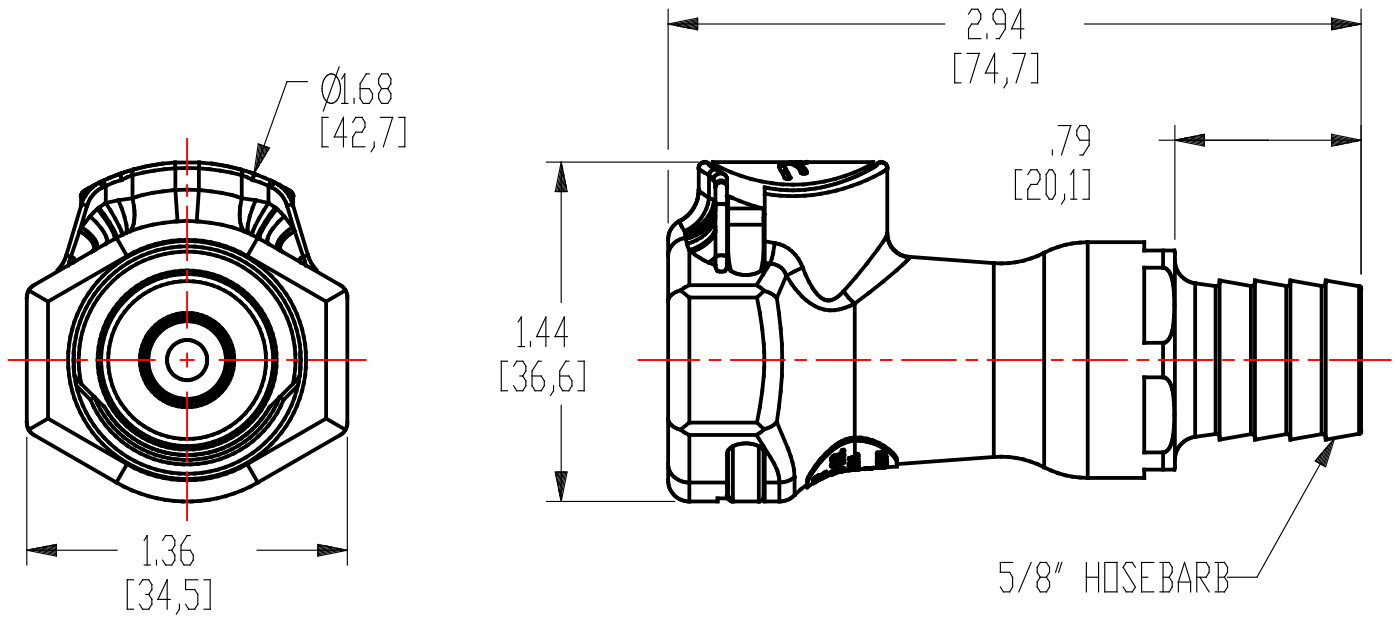
### Features - Benefits

- High efficiency valve - More flow in a compact size
- Ergonomic design - Easy to grip, simple to operate
- Polypropylene material - Chemically resistant and gamma sterilizable
- Compatible - Mates with HFC35 and HFC57 couplings



These graphs are intended to give you a general idea of the performance capabilities of each product line. Contact CPC for flow of a particular coupling combination.

**Technical details:**



**Description:** 5/8" Hose Barb Valved In-Line Coupling Body

**Materials:**

**Main Components:** Gray Polypropylene

**Valve:** Gray Polypropylene

**Thumb Latch:** Dark Gray Polypropylene

**Valve Spring:** Stainless Steel

**External Spring:** Stainless Steel

**Seals:** EPDM

**Standard Packaging Quantity:** 10