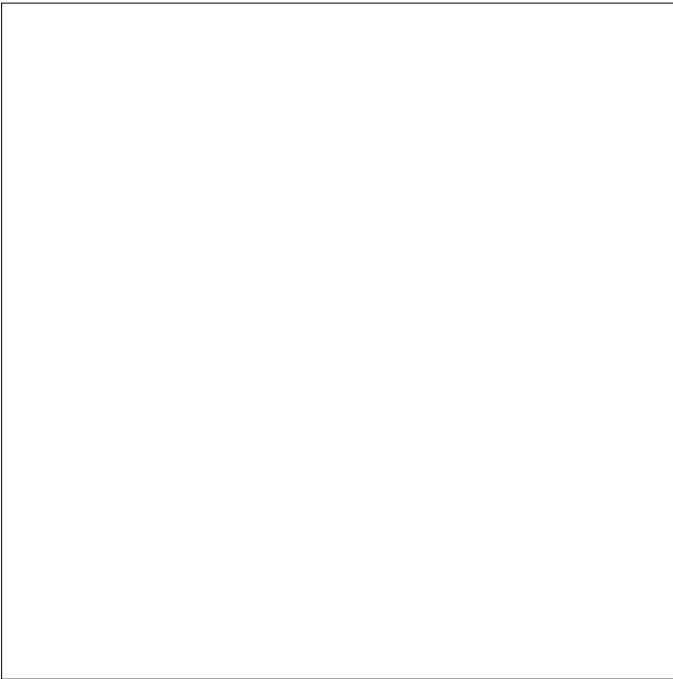


PRODUCT SERIES SPECIFICATIONS

Series: PMC12
Category: General Purpose
Temperature: 32°F-160°F (0°C-71°C)
Pressure: Vacuum to 120 psi, 8.3 bar
Sterilization Method: Gamma: Up to 50 kGy irradiation
Material Compliance
Reach: Compliant
RoHS: Compliant

For more information see cpcworldwide.com or contact us at cpcworldwide.com/ContactUs

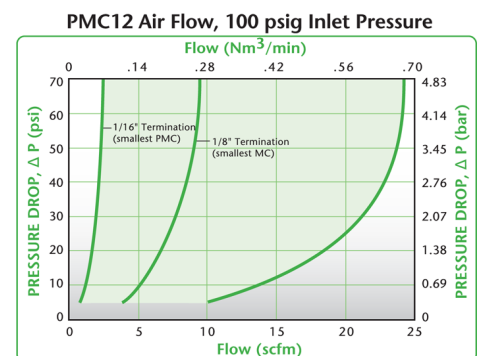
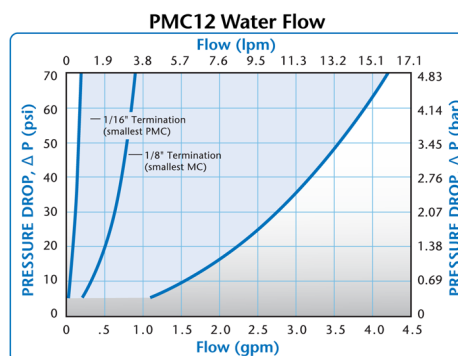
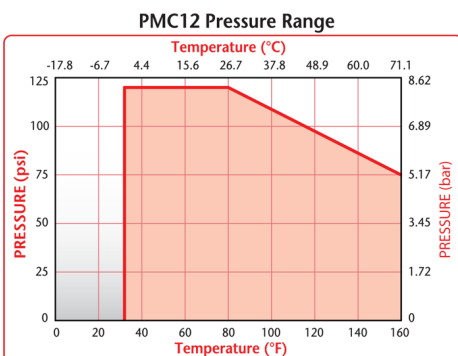


Interactive 3D graphic, click to activate and rotate.

The 1/8" flow polypropylene PMC12 offers many of the same configuration options as the PMC. The polypropylene material adds greater chemical resistance and is gamma sterilizable. The PMC12 also mates to small diameter rigid tubing. Available with a 1/4-28 flat bottom port and 1/4-28 UNF threads, these couplings eliminate the need to thread and re-thread common compression nuts each time a tubing connection is made.

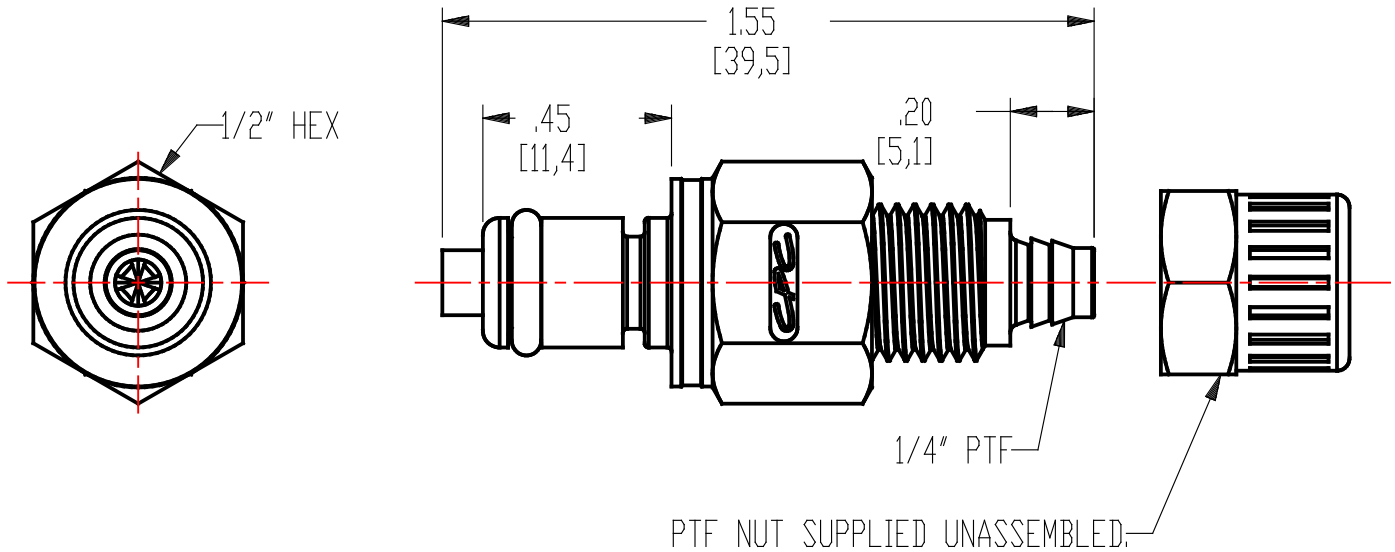
Features - Benefits

- Polypropylene material - Chemically resistant and gamma sterilizable
- EPDM o-ring - Greater chemical resistance
- CPC thumb latch - One-hand connection and disconnection
- Integral terminations - Fewer leak points, shorter assemblies, faster installations



These graphs are intended to give you a general idea of the performance capabilities of each product line. Contact CPC for flow of a particular coupling combination.

Technical details:



Description: 1/4" PTF Valved In-Line Coupling Insert

Materials:

Main Components: Almond Polypropylene

Seals: EPDM

Valve: Almond Polypropylene

Valve Spring: Stainless Steel

Standard Packaging Quantity: 25