

## PRODUCT SERIES SPECIFICATIONS

**Series:** HFC12

**Category:** General Purpose

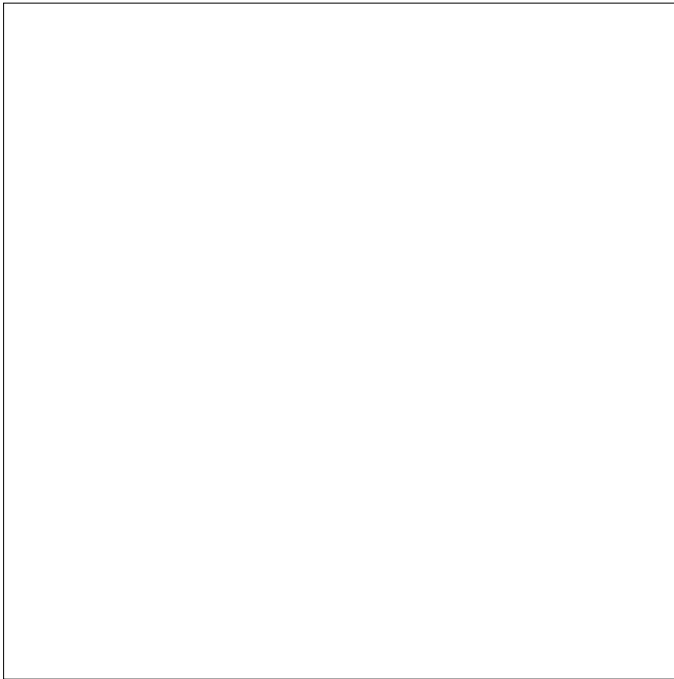
**Pressure:** Vacuum to 60 psi, 4.2 bar

**Temperature:** 32°F-160°F (0°C-71°C)

**Material Compliance**

**Reach:** Compliant

**RoHS:** Compliant



Interactive 3D graphic, click to activate and rotate.

For more information see [cpcworldwide.com](http://cpcworldwide.com) or contact us at [cpcworldwide.com/ContactUs](http://cpcworldwide.com/ContactUs)

**HFC12 Series couplings** have flow comparable to many 1/2" flow couplings in a 3/8" body size.

Compact and lightweight, HFC couplings replace bulky and heavy brass ball-and-sleeve couplings in a wide range of applications. An ergonomic design and a large, shrouded thumb latch pad produce a coupling that is easy to grip and simple to operate. An efficient valve design leads to high flow and low spillage.

### Features - Benefits

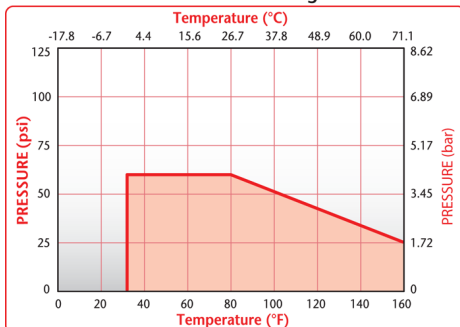
High efficiency valve - More flow in a compact size

Ergonomic design - Easy to grip, simple to operate

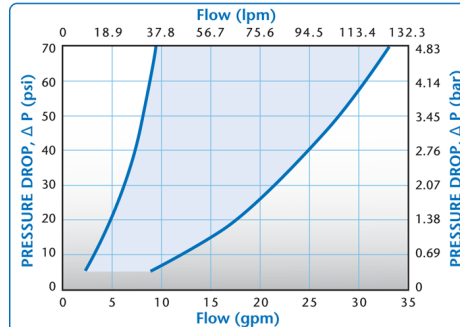
Polypropylene material - Chemically resistant and gamma sterilizable

Compatible - Mates with HFC35 and HFC57 couplings

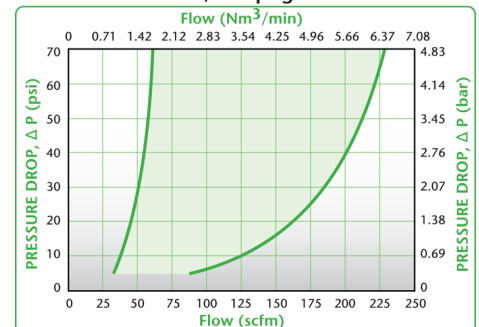
HFC12 Pressure Range



HFC12 Water Flow

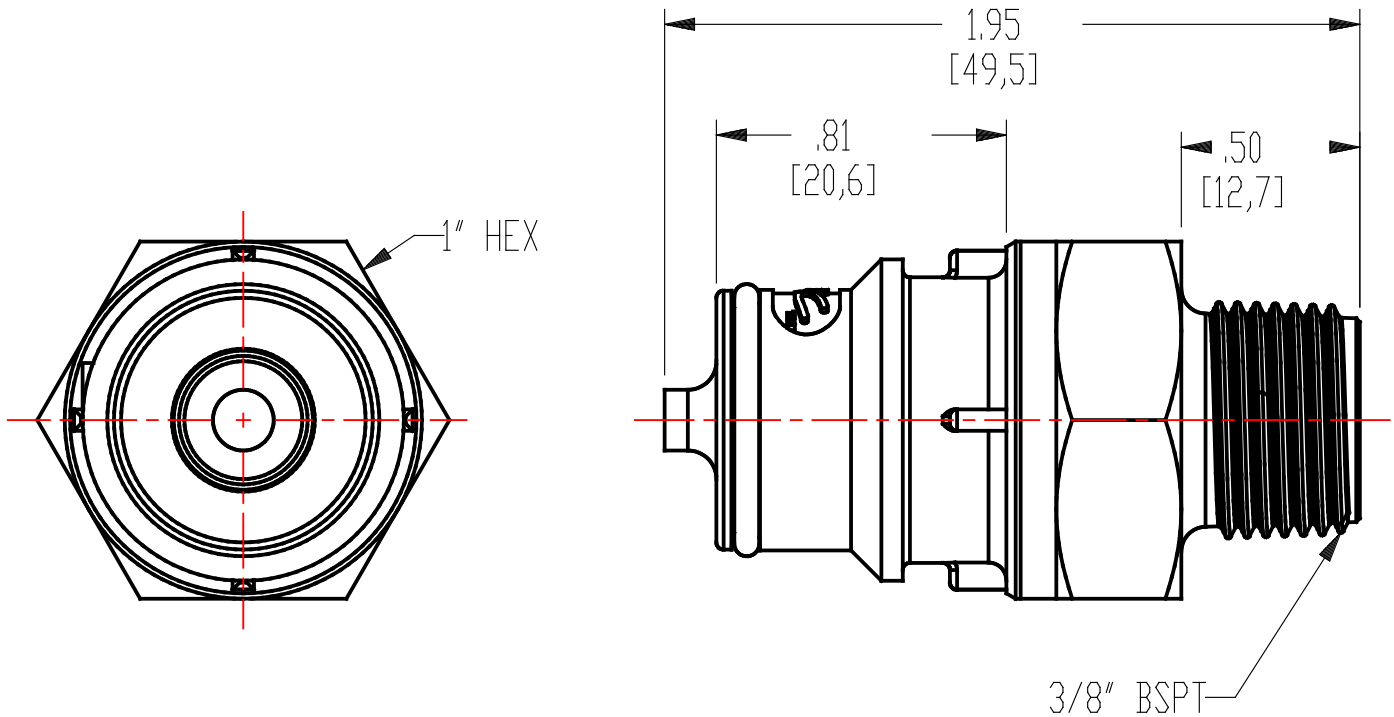


HFC12 Air Flow, 100 psig Inlet Pressure



These graphs are intended to give you a general idea of the performance capabilities of each product line. Contact CPC for flow of a particular coupling combination.

## Technical details:



**Description:** 3/8" BSPT Valved Coupling Insert

### Materials:

**Main Components:** Gray Polypropylene

**Valve:** Gray Polypropylene

**Valve Spring:** Stainless Steel

**Seals:** EPDM

**Standard Packaging Quantity:** 10