

PRODUCT SERIES SPECIFICATIONS

Series: EFC

Category: General Purpose

Pressure: Vacuum to 105 psi, 7.2 bar

Temperature: 32°F-160°F (0°C-71°C)

Material Compliance

Reach: Compliant

RoHS: Compliant

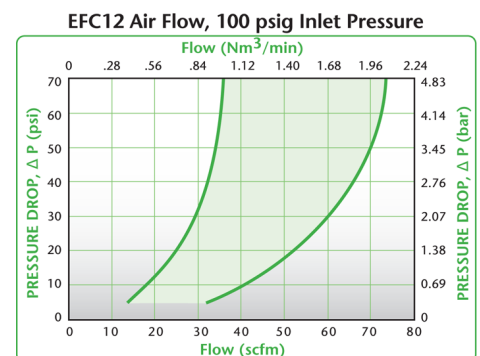
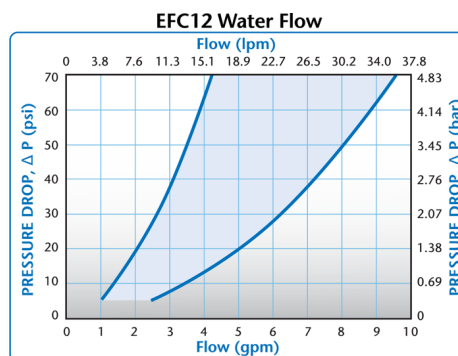
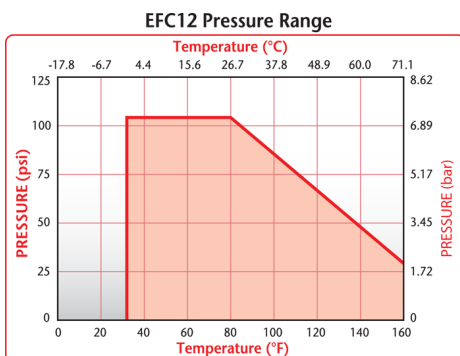
For more information see cpcworldwide.com or contact us at cpcworldwide.com/ContactUs

Interactive 3D graphic, click to activate and rotate.

The 9/32" flow EFC12 Series couplings feature a high efficiency valve design that provides a greater flow capability than any other coupling its size. Chemically resistant polypropylene material makes it ideal for harsh environments. The EFC12 Series adds a bulkhead panel mount option for tight seals against tank walls and drums.

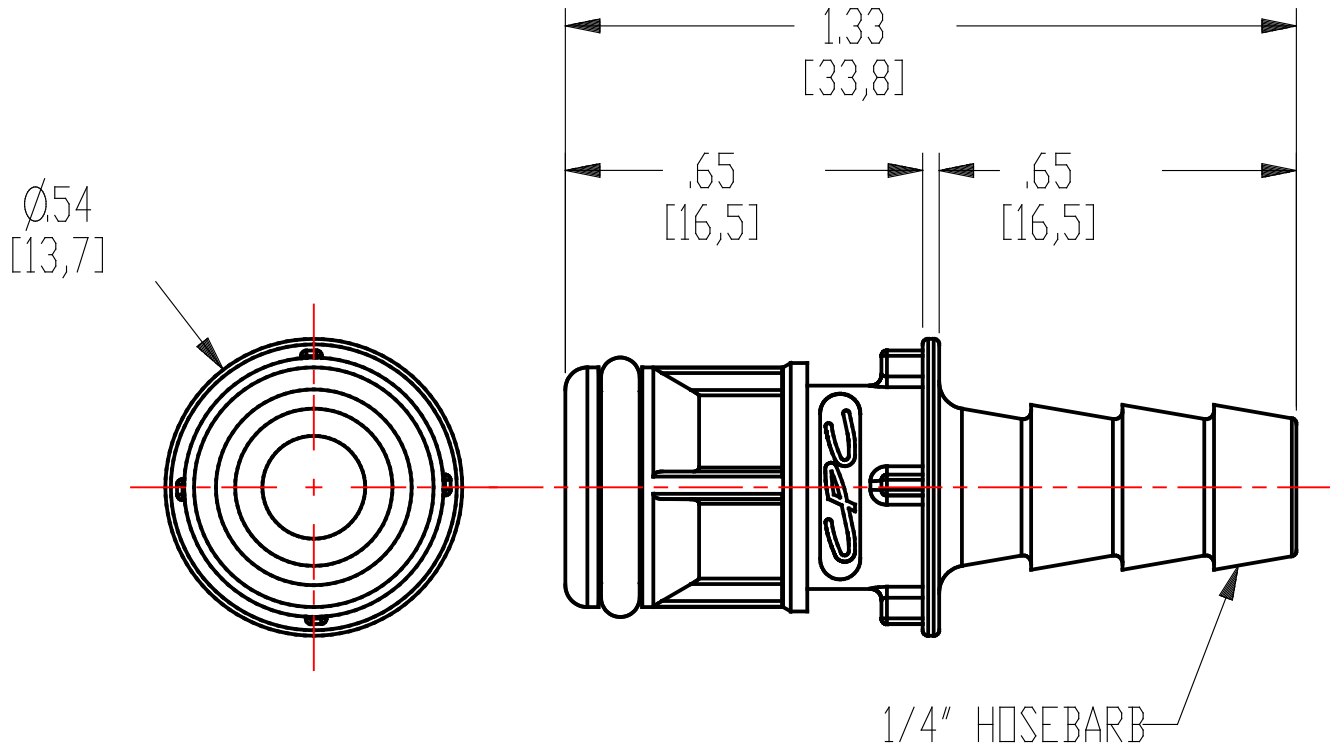
Features - Benefits

- High efficiency valve - More flow than PLC Series in a compact size
- Plastic thumb latch - Fewer moving parts
- Polypropylene material - Chemically resistant and gamma sterilizable
- Compatible - Mates with most APC couplings



These graphs are intended to give you a general idea of the performance capabilities of each product line. Contact CPC for flow of a particular coupling combination.

Technical details:



Description: 1/4" Hose Barb Non-Valved In-Line Coupling Insert

Materials:

Main Components: Gray Polypropylene

Valve: N/A

Valve Spring: N/A

Seals: EPDM

Standard Packaging Quantity: 25