

PRODUCT SERIES SPECIFICATIONS

Series: LQ

Category: Thermal Management

Pressure: Vacuum to 120 psi, 8.3 bar

Temperature: 0°F to 240°F (-17°C to 115°C)

Spillage & Air Inclusion:

<0.03 cc per disconnect at 0 psi

<0.03 cc per disconnect rated at 120 psi

<0.42 cc per connect

Material Compliance

Reach: Compliance

RoHS: Compliance

For more information see cpcworldwide.com or contact us at cpcworldwide.com/ContactUs

Interactive 3D graphic, click to activate and rotate.

LQ6 Series couplings closed-system design provides ultra-reliable, dripless connections and disconnections. The first of their kind, the couplings utilize patent-pending valve technology specifically designed for liquid cooling applications.

Features - Benefits

Non-spill design - Disconnect under pressure with no spills

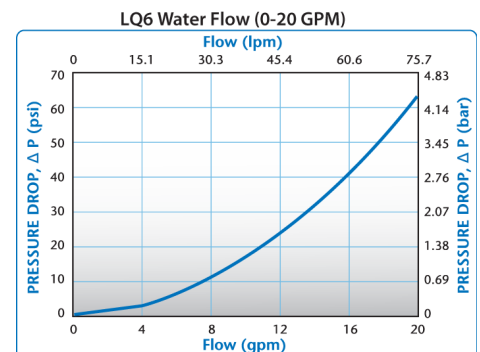
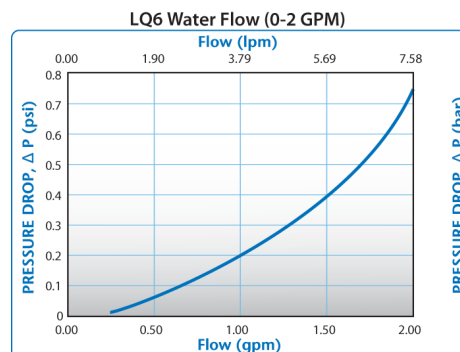
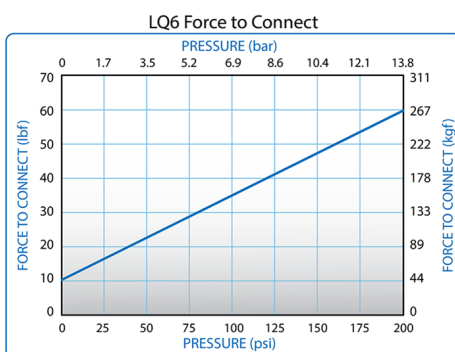
Redundant sealing when connected - Extra protection from leaks

Color-coding - Instant visual difference in cooling lines

Friction-free valve - Valving system designed for extended periods in connected state

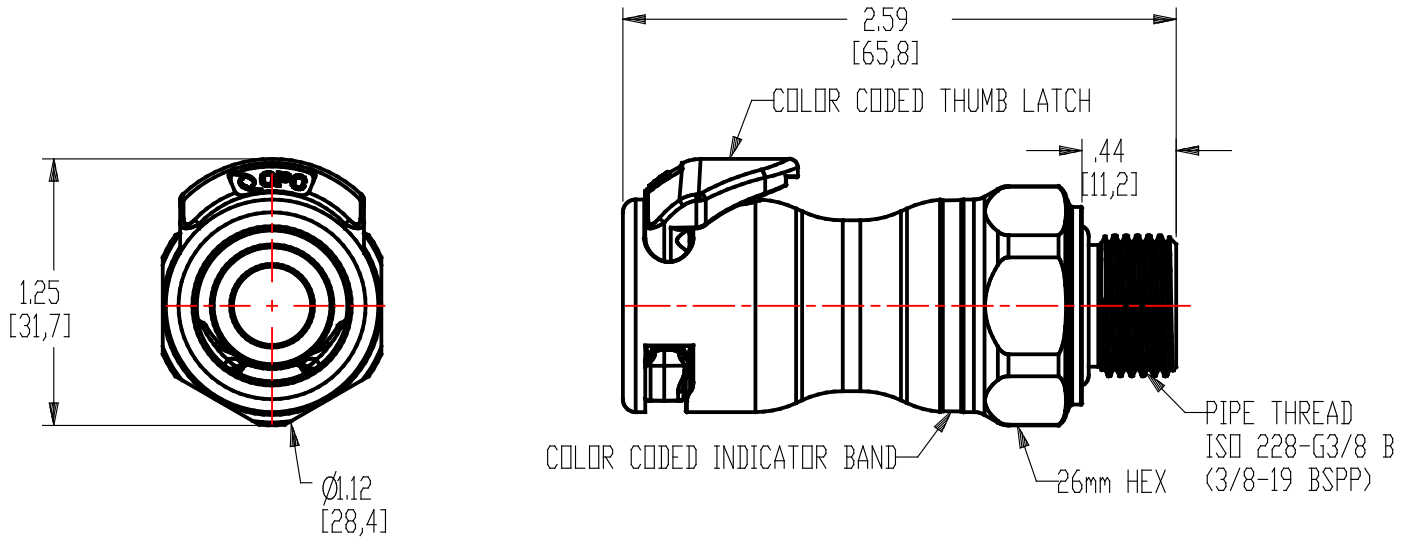
Enhanced latch design - Easy to see orientation on manifolds and tubing

Lower ergonomic profile - Meets size requirements for space-constrained electronics



These graphs are intended to give you a general idea of the performance capabilities of each product line. Contact CPC for flow of a particular coupling combination.

Technical details:



Description: 3/8" G-Thread/BSPP/BSPP Valved In-line Liquid Cooling Body, Warm Red

Materials:

Main Components: Chrome plated brass

Valve: Natural colored polysulfone

Thumb Latch: Red colored polysulfone

Valve Spring: Stainless Steel

External Spring: Stainless Steel

Seals: EPDM

Others: Black colored LDPE protective cap for threads, stainless steel retaining ring and red colored polysulfone indicator band.

Standard Packaging Quantity: 10