

PRODUCT SERIES SPECIFICATIONS

Series: FFC

Category: General Purpose

Pressure: Vacuum to 125 psi, 8.6 bar

Temperature: -40°F-280°F (-40°C-138°C)

Material Compliance

Reach: Compliant

RoHS: Compliant

For more information see cpcworldwide.com or contact us at cpcworldwide.com/ContactUs

Interactive 3D graphic, click to activate and rotate.

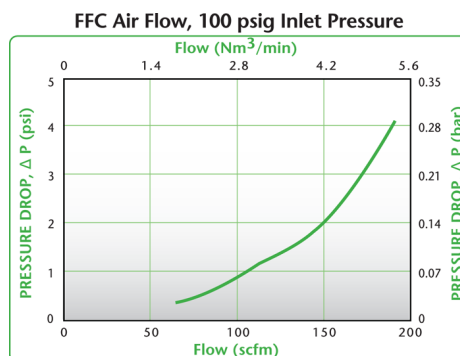
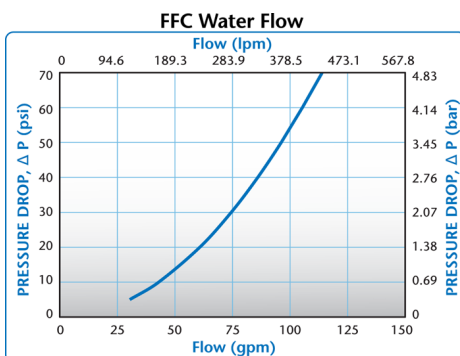
FFC35 Series 1/2" flow couplings feature double the flow of the HFC Series couplings. The FFC Series has a non-valved bore that increases flow and minimizes turbulence. The polysulfone material is able to withstand demanding applications and features physical strength, chemical resistance and autoclavability. An ergonomic design and a large, shrouded thumb latch pad produce a coupling that is easy to grip and simple to operate.

Features - Benefits

No valves - Exceptional flow

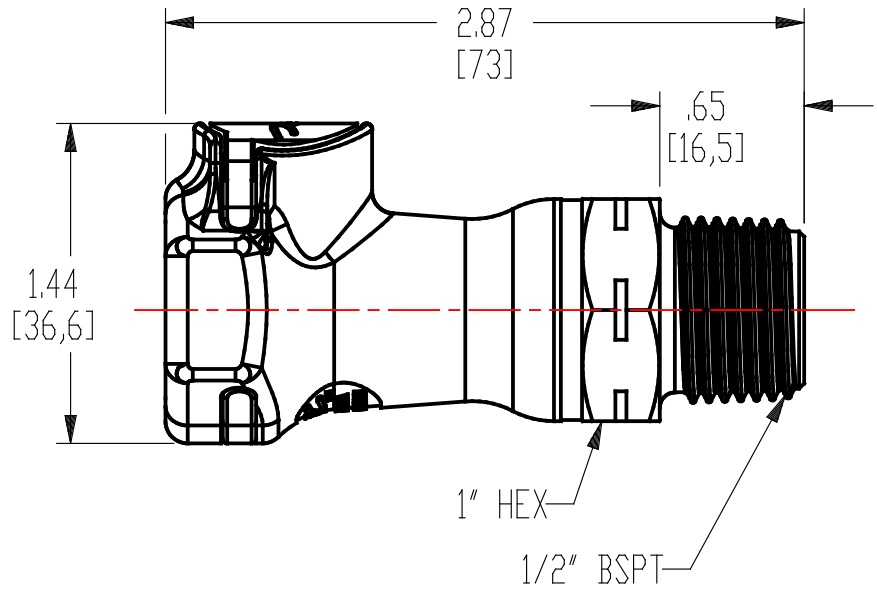
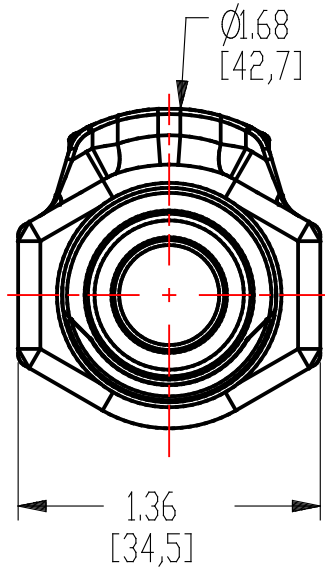
Polysulfone material - Physically strong and autoclavable

Ergonomic design - Easy to grip, simple to operate



These graphs are intended to give you a general idea of the performance capabilities of each product line. Contact CPC for flow of a particular coupling combination.

Technical details:



Description: 1/2" BSPT Non-Valved Coupling Body

Materials:

Main Components: Natural White Polysulfone

Thumb Latch: Dark Gray Polysulfone

External Spring: Stainless Steel

Standard Packaging Quantity: 10